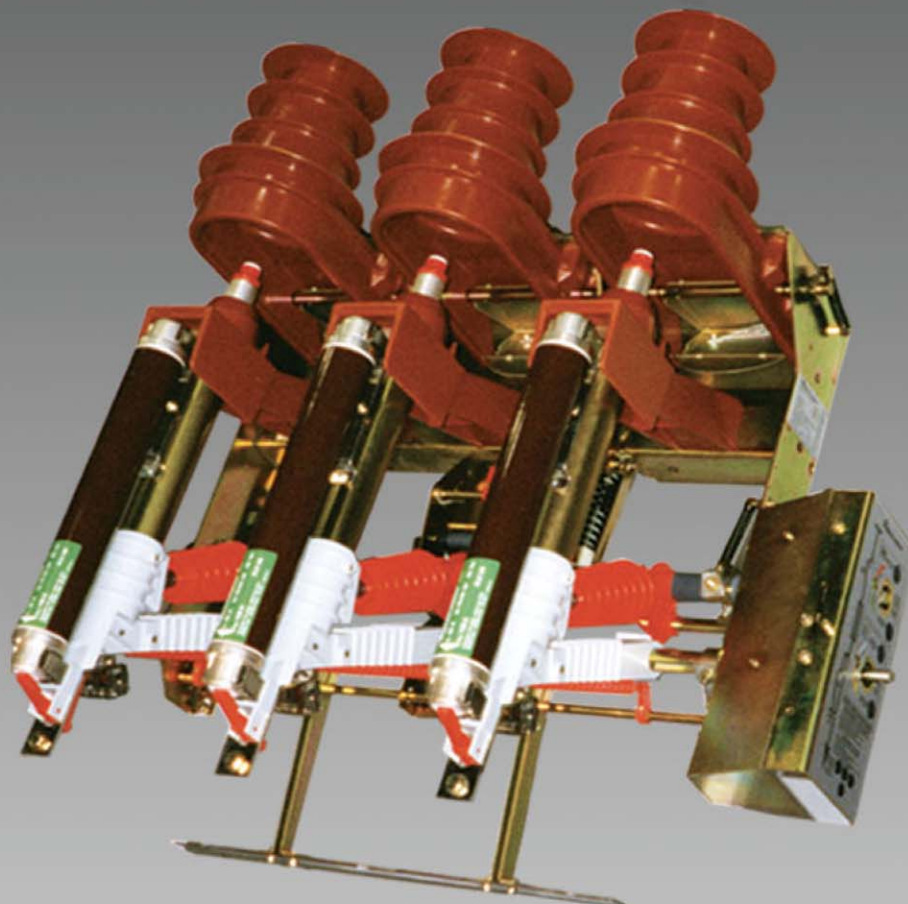




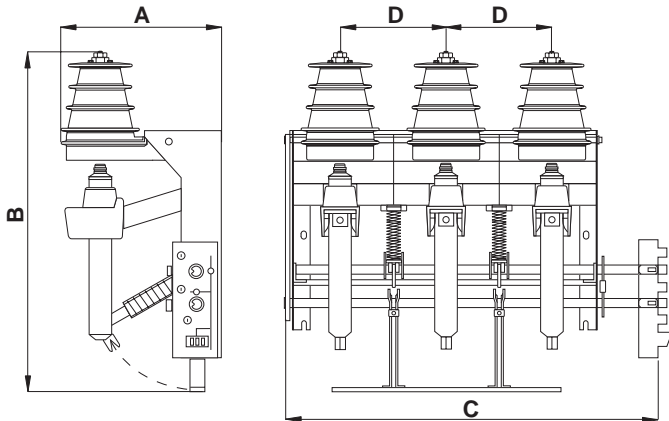
ISARC

AIR INSULATED SWITCH DISCONNECTOR
12/24 kV - 400/630 A - 12,5/25 kA



Exit

AIR INSULATED SWITCH DISCONNECTOR



OVERALL DIMENSIONS AND WEIGHT

Type	kV	A (mm)	B (mm)	C (mm)	D (mm)	Weight (kg.)
1 - 3	12	390	880	883	210	65
	17,5	390	880	883	210	65
	24	475	1070	1096	300	94
2 - 4	12	390	940	883	210	76
	17,5	390	940	883	210	76
	24	475	1114	1096	300	101

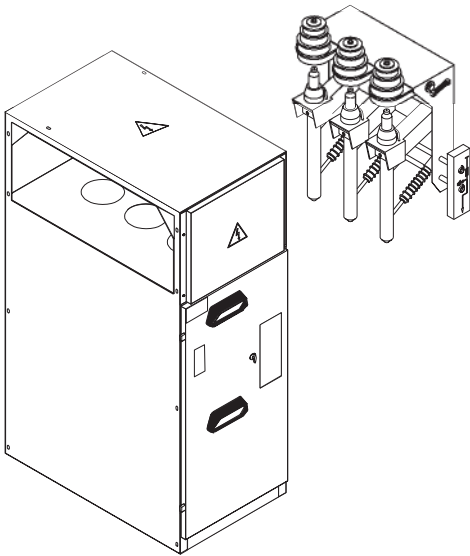
Type 1 - Switch disconnecter

Type 3 - Disconnecter (off-load)

Type 2 - Transformer protection fuse-switch disconnecter

Type 4 - Disconnecter with fuse-holders (off-load)

EXAMPLE OF "ISARC" APPLICATIONS IN THE UNISARC SWITCHBOARD



Type	12 (kV)	17,5 (kV)	24 (kV)
SS	●	●	●
SS/C	●	●	●
SS/CT	●	●	●
SS/FA	●	●	●
SSFA/C	●	●	●
SSFA/CT	●	●	●
STVA	●	●	●
SV	●	●	●
SV/C	●	●	●
SV/CT	●	●	●
IFT	●	●	●
IFTC	●	●	●
IFTCT	●	●	●
IFT7	●	●	●
IET	●	●	●
IST	●	●	●

ELECTRICAL FEATURES

Rated voltage	Ur [kV]	12	17,5	24
Power frequency withstand voltage (50/60 Hz 1 min) to earth and between phases	[kV]	28	38	50
Impulse withstand voltage to earth and between phases	Up [kV]	75	95	125
Rated current	In [A]	400-630	400-630	400-630
Breaking capacity of active circuits (cos ϕ 0.7) and ring circuits at 0.3 Vn	Isc [kA]	400-630	400-630	400-630
Breaking capacity of no-load transformers	Isc [kA]	25	25	25
Breaking capacity of no-load lines / cables	Isc [kA]	25	25	25
Short time current - 1 sec.	Ik [kA]	12,5...25	12,5...25	12,5...25
Short time current - 3 sec.	Ik [kA]	12,5...20	12,5...20	12,5...20
Making capacity	[kA]	31,5...62,5	31,5...62,5	31,5...62,5

VEI S.p.A. reserves the right of bringing any modification due to technical and commercial reasons at any time. Therefore the information and pictures reported in the present issue are updated until the approval of printing.