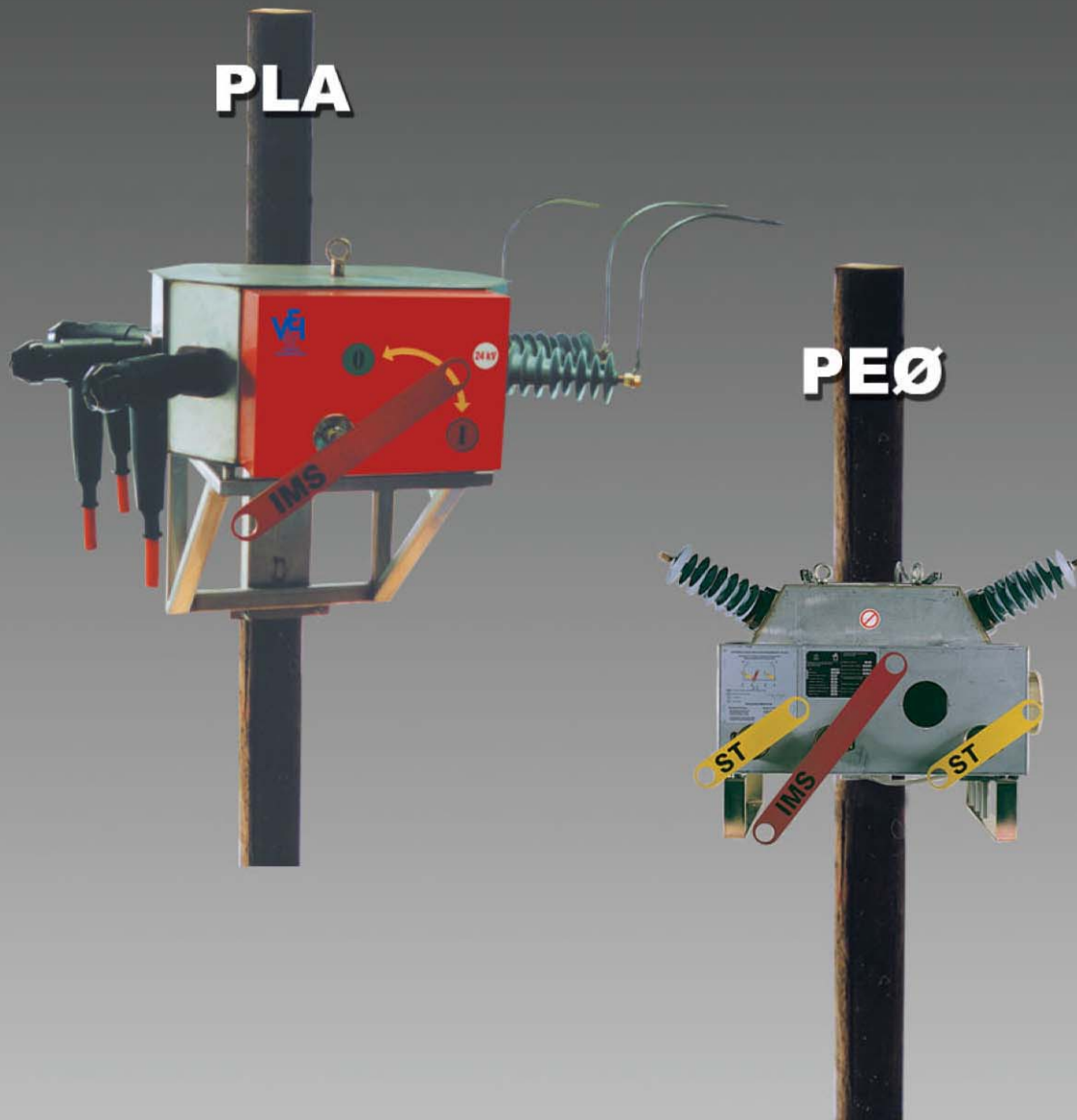




FLUSARC PLA-PEØ

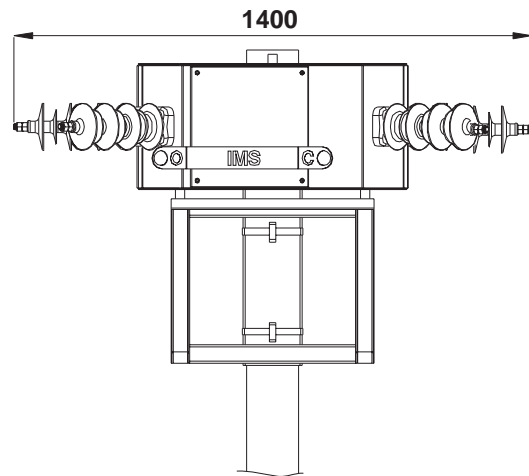
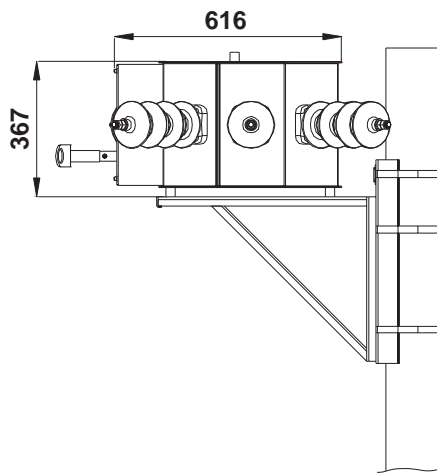
POLE MOUNTED OUTDOOR SF₆ INSULATED SWITCH DISCONNECTOR

12/36 kV - 400/630 A - 12,5/20 kA

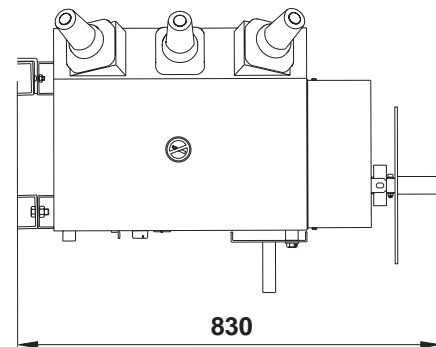
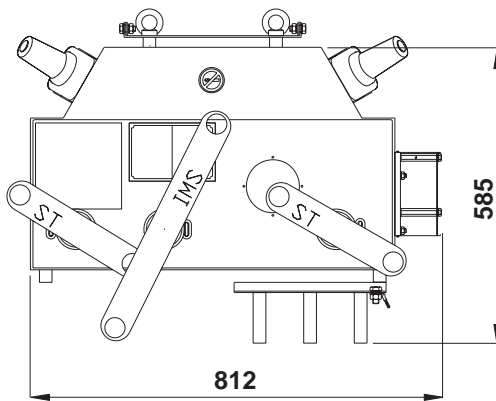


Exit

PLA



PEØ



ELECTRICAL FEATURES

		FLUSARC PEØ			
		12	17,5	24	36
Rated voltage	Ur [kV]	12	17,5	24	36
Power frequency withstand voltage (50/60 Hz 1 min) to earth and between phases	[kV]	28÷42(*)	38	50	70
Impulse withstand voltage to earth and between poles	Up [kV]	75	95	125	170
Rated current	In [A]	400-630		400	
Breaking capacity of active circuits (cos ø0,7) and ring circuits at 0,3Vn	Isc [kA]	400-630		400	
Breaking capacity of no-load transformers	Isc [kA]	25		16	
Breaking capacity of no-load lines and cables	Isc [kA]	25		25	
Short-time current 1+3 sec.	Ik [kA]	12,5-20		12,5-16	
Making capacity	[kA]	31,5-50		31,5-40	
Internal arc withstand current 1 sec.	[kA]	16		12,5	
Rated current breaks	N°	400		400	
		FLUSARC PLA			

(*) Following GB STANDARD (China)

VEI S.p.A. reserves the right of bringing any modification due to technical and commercial reasons at any time. Therefore the information and pictures reported in the present issue are updated until the approval of printing.