



ENEVACUUM

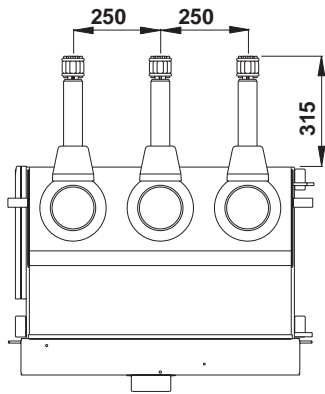
MEDIUM VOLTAGE VACUUM CIRCUIT BREAKER

12 - 17,5 - 24 kV

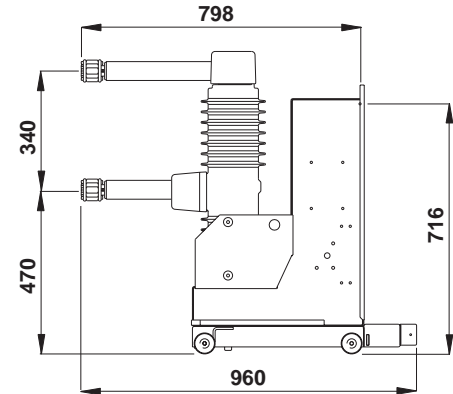
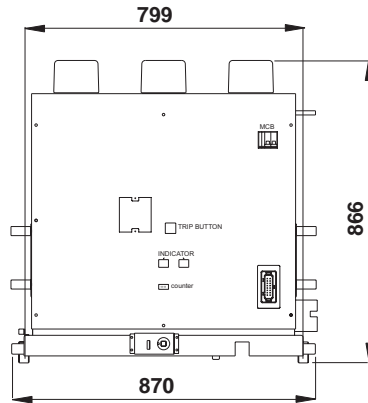


Exit

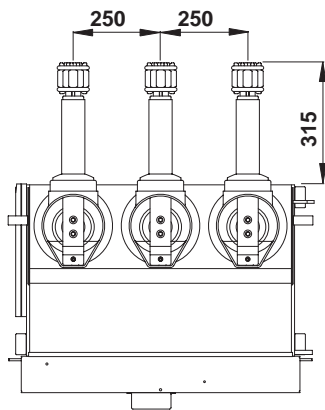
24 kV - 12,5 kA - 630/1250 A



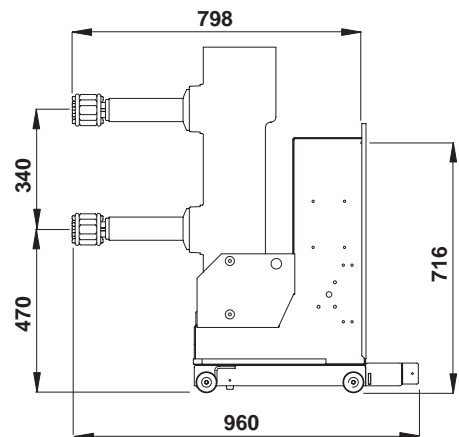
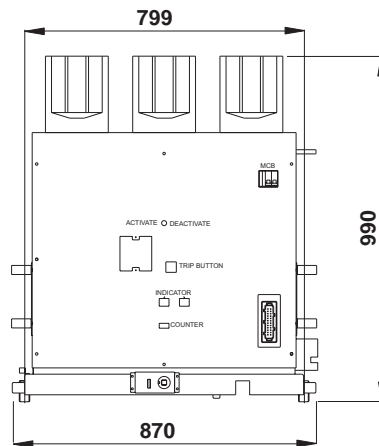
FLY VIEW



24 kV - 12,5 kA - 2500 A



FLY VIEW



ELECTRICAL FEATURES

Rated voltage	Ur [kV]	12	17,5	24
Rated current	In [A]	630-2500	630-2500	630-2500
Rated breaking capacity	Isc [kA]	12,5-25	12,5-20	12,5-16
Short-time current 1 sec.	Ik [kA]	20	20	16
Short-time current 3 sec.	Ik [kA]	20	20	16
Making capacity	[kA]	31,5-50	31,5-50	31,5-40
Operation sequence	-	0-0,3 sec. CO -15 sec. CO		

VEI S.p.A. reserves the right of bringing any modification due to technical and commercial reasons at any time. Therefore the information and pictures reported in the present issue are updated until the approval of printing.