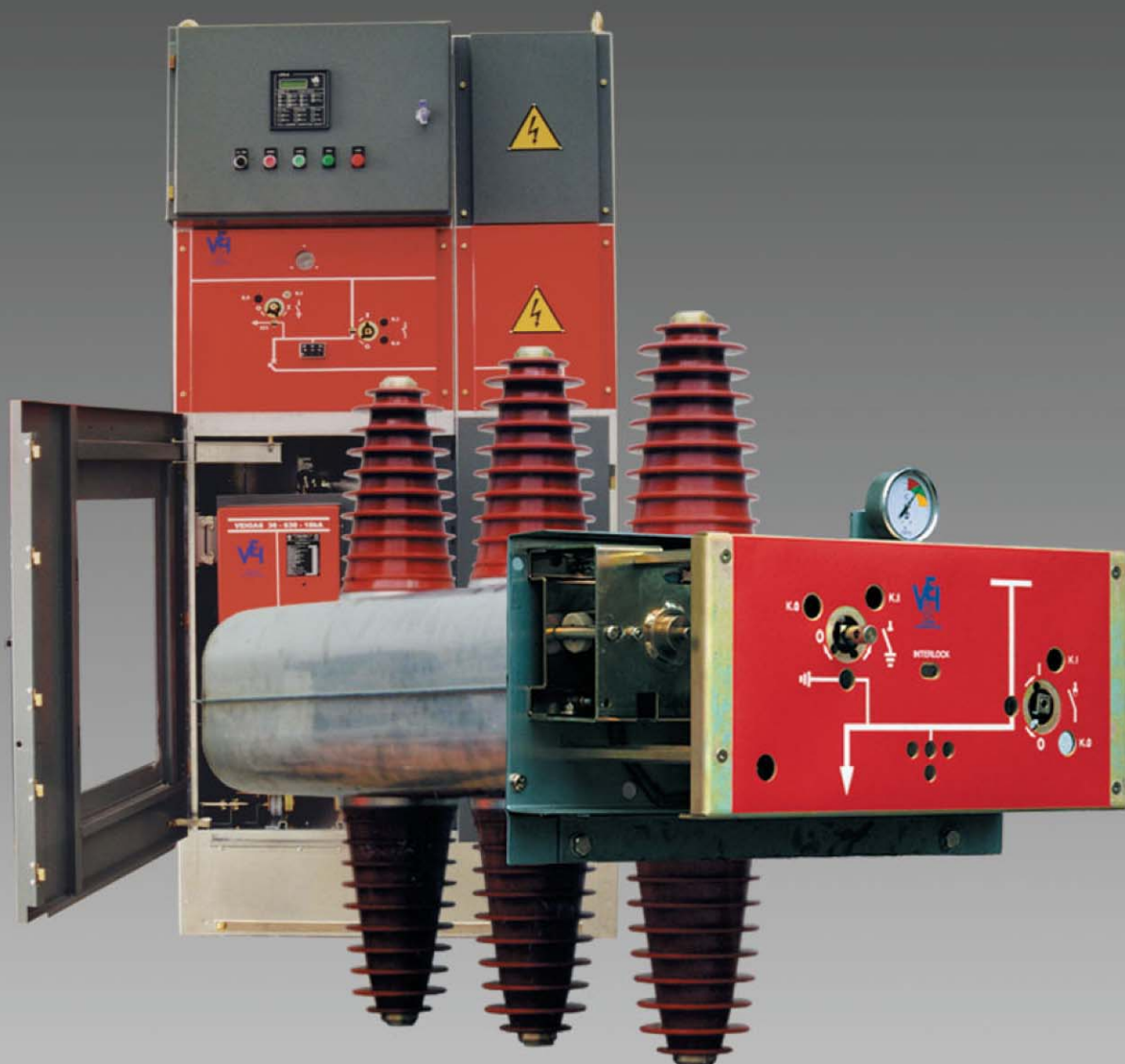


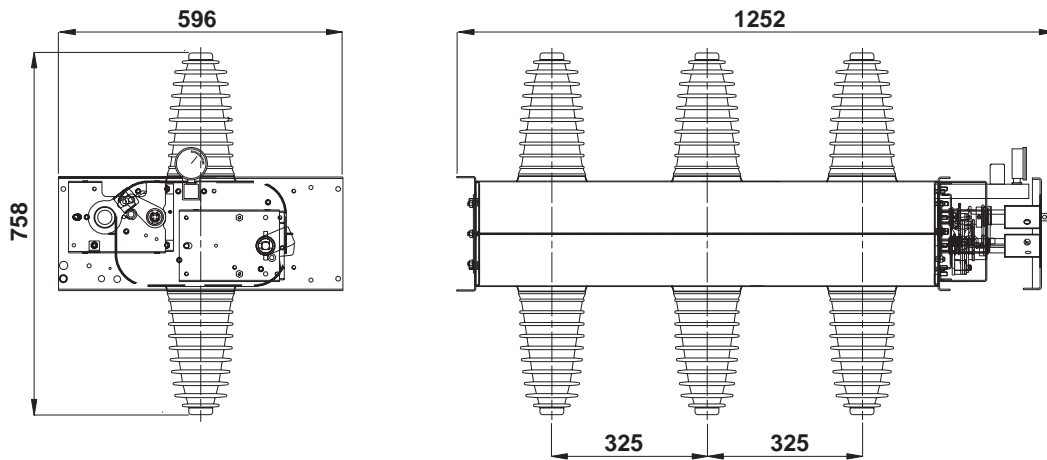


# LARC

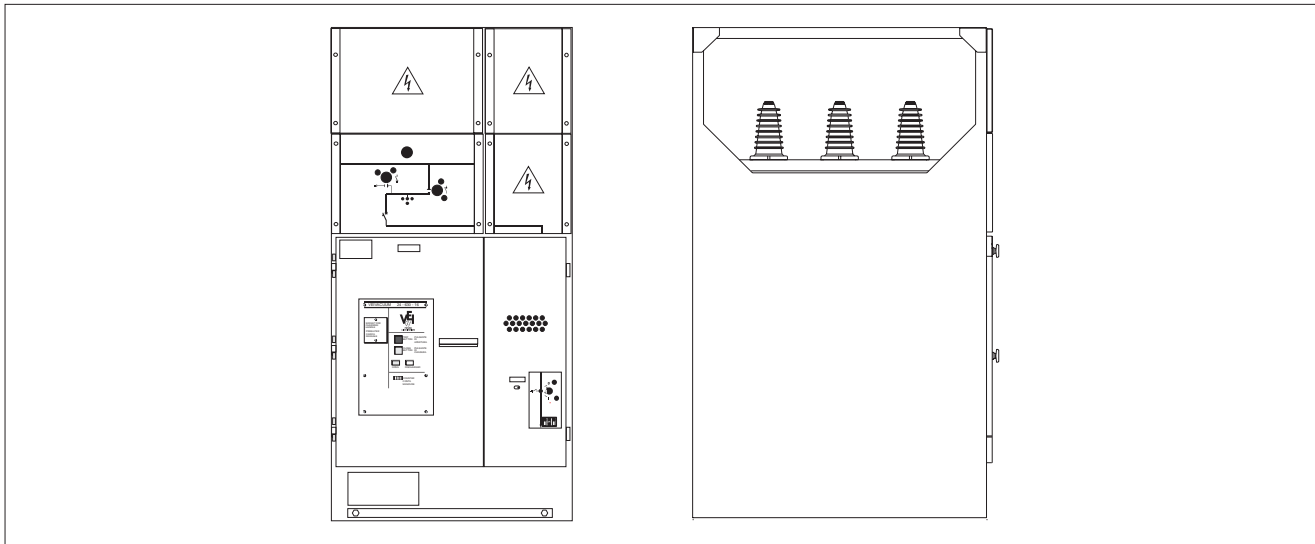
SF6 GAS INSULATED SWITCH DISCONNECTORS

36 kV - 400/630 A - 12,5/16 kA





EXAMPLE OF "LARC" APPLICATION IN MODULARC SWITCHBOARD



### ELECTRICAL FEATURES

Rated voltage	Ur [kV]	36
Power frequency withstand voltage (50/60 Hz 1 min) to earth and between phases	[kV]	70
Impulse withstand voltage to earth and between phases	Up [kV]	170
Rated current	In [A]	400-630
Breaking capacity of active circuits (cos $\phi$ 0.7) and ring circuits at 0.3 Vn	Isc [kA]	400-630
Breaking capacity cables fault	Isc [kA]	200
Breaking capacity earth cables fault	Isc [kA]	50
Breaking capacity of no-load lines / cables	Isc [kA]	25
Short time withstand current - 1 sec	Ik [kA]	12,5-16
Making capacity	[kA]	31,5-40
Transfer current IEC 420	[A]	450
Internal arc withstand current (1 sec)	[kA]	12,5-16

VEI S.p.A. reserves the right of bringing any modification due to technical and commercial reasons at any time. Therefore the information and pictures reported in the present issue are updated until the approval of printing.